

CENTRE OF GRAVITY COORDINATES (COG)			
I.D.	X	Y	Z
COG	296	253	26

GENERAL / INFORMATION

UNIT WEIGHT (DRY)

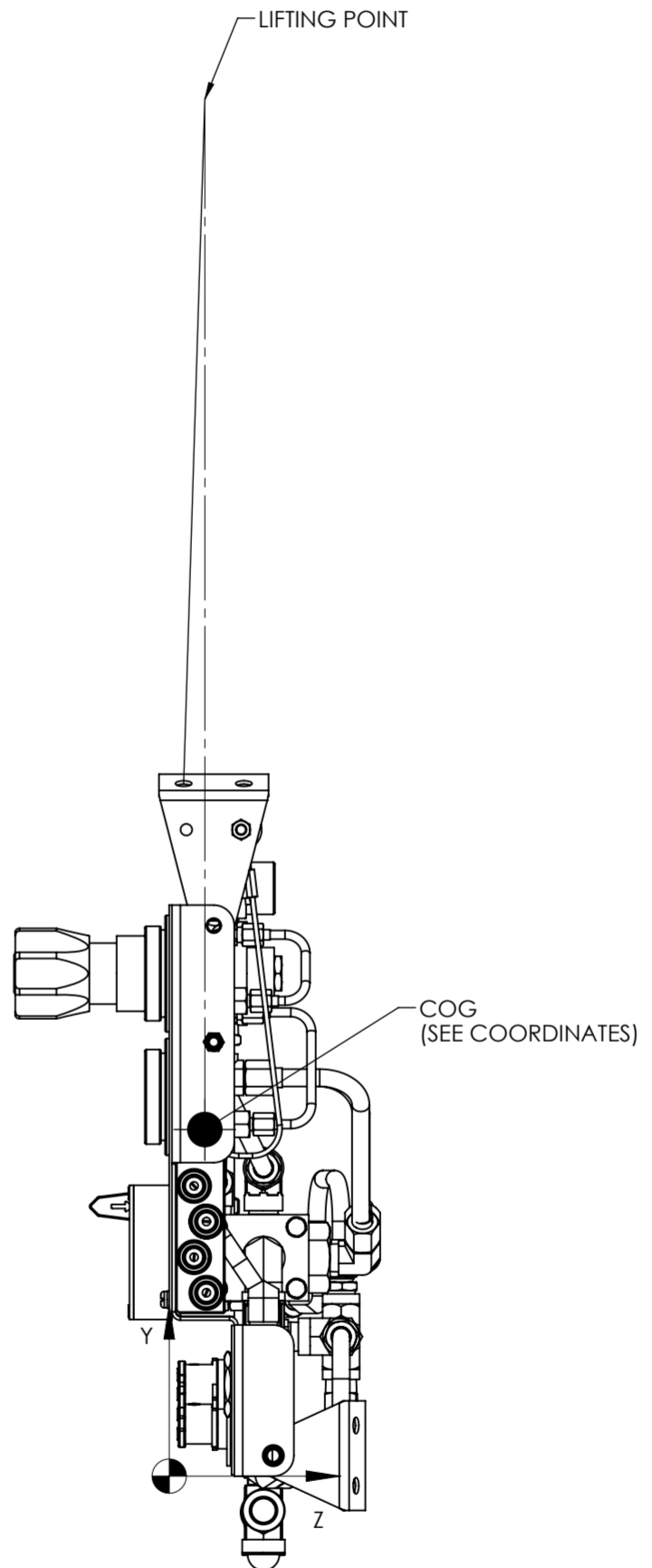
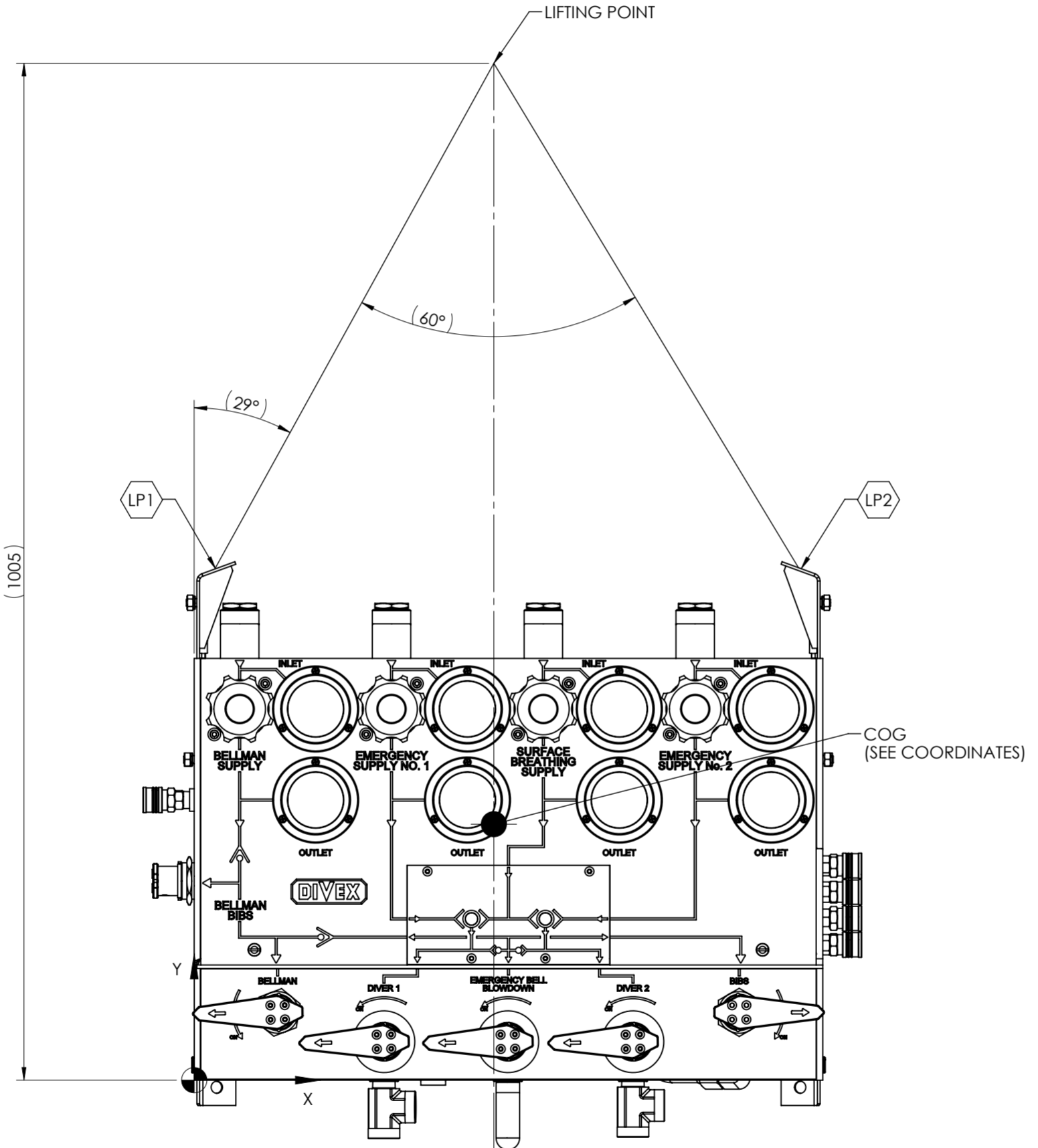
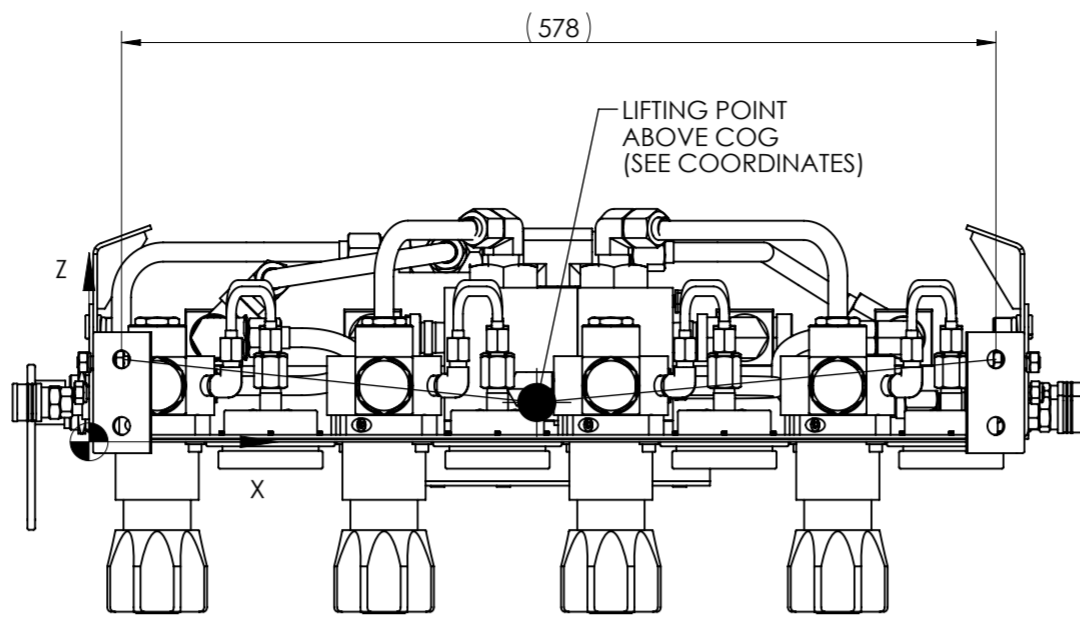
1 APPROX. 55kg (121lbs)

LEGEND

- DATUM
- CENTRE OF GRAVITY (COG)

LIFT POINTS

- LOCAL DEDICATED LIFT POINTS



LIFTING ARRANGEMENT

55kg (DRY WEIGHT)

NOTES:

MATERIAL	N/A	R03					
FINISH	N/A	R02					
ALL DIMENSIONS ARE IN mm (UOS) ALL DIMENSIONS BEFORE PLATING (UOS) REMOVE ALL SHARP EDGES AND BURRS							
MACHINING TOLERANCE	FABRICATION TOLERANCE	R01					
NO DECIMAL PLACE	±1.0	>0	<100	±0.5			
ONE DECIMAL PLACE	±0.2	>100	<500	±1.5			
TWO DECIMAL PLACE	±0.05	>500		±3.0			
ANGULAR TOLERANCE				±0.5°			

PANEL, GAS MANAGEMENT, BELL, 3 DIVER

JFD

JFD WESTHILL
ENTERPRISE DRIVE,
WESTHILL, ABERDEEN,
AB32 6TQ, UK

TEL: +44 (0)1224 740145
E: enquires@jfdglobal.com
W: jfdglobal.com

DRAWING NO.	REV	
GA1009019S2	R00	
PART NO.	PRODUCT / PROJECT No.	
A46983AA	GA100	
SIZE	SCALE (UOS)	SHEET
A2	1:5	2 of 2