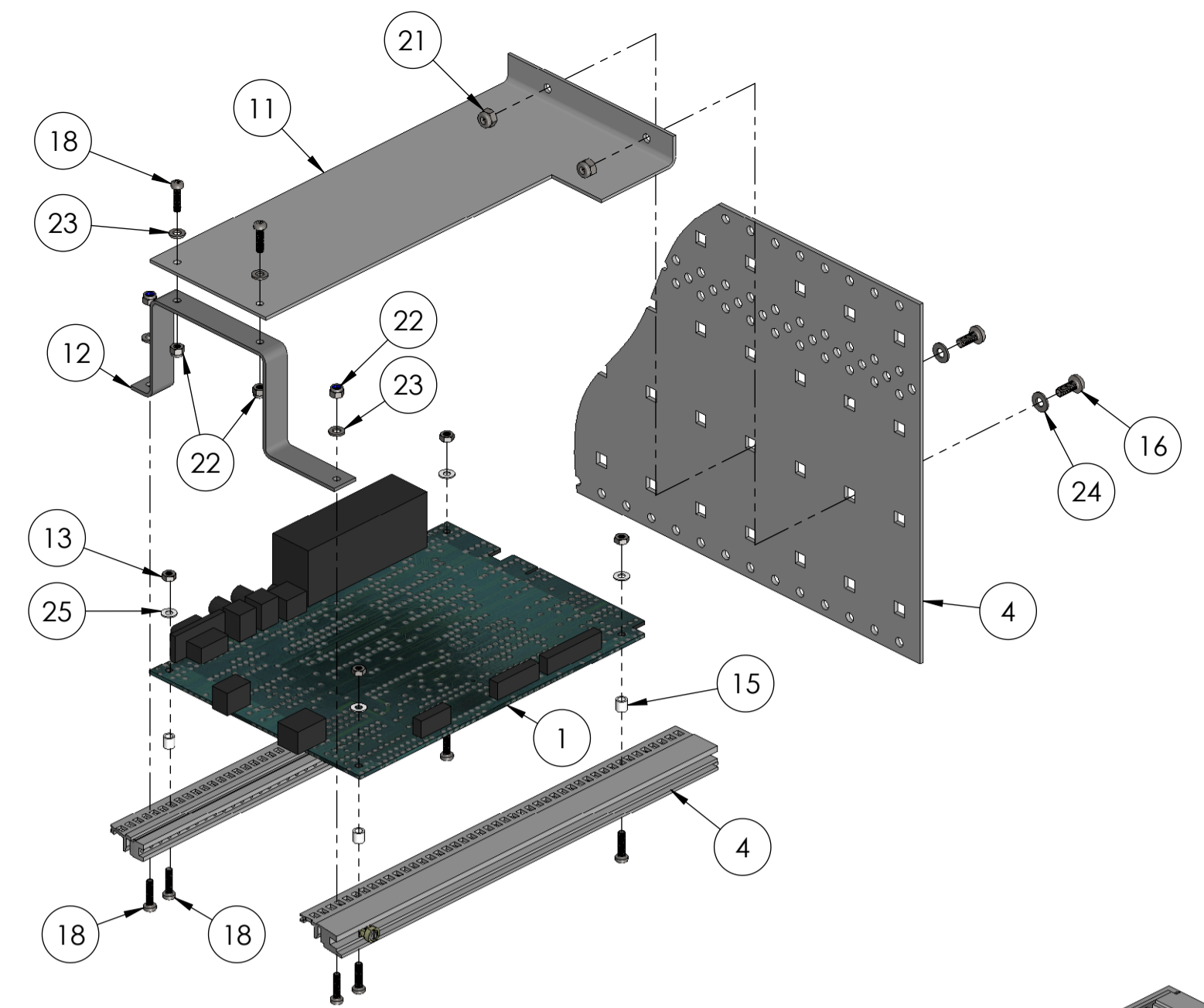
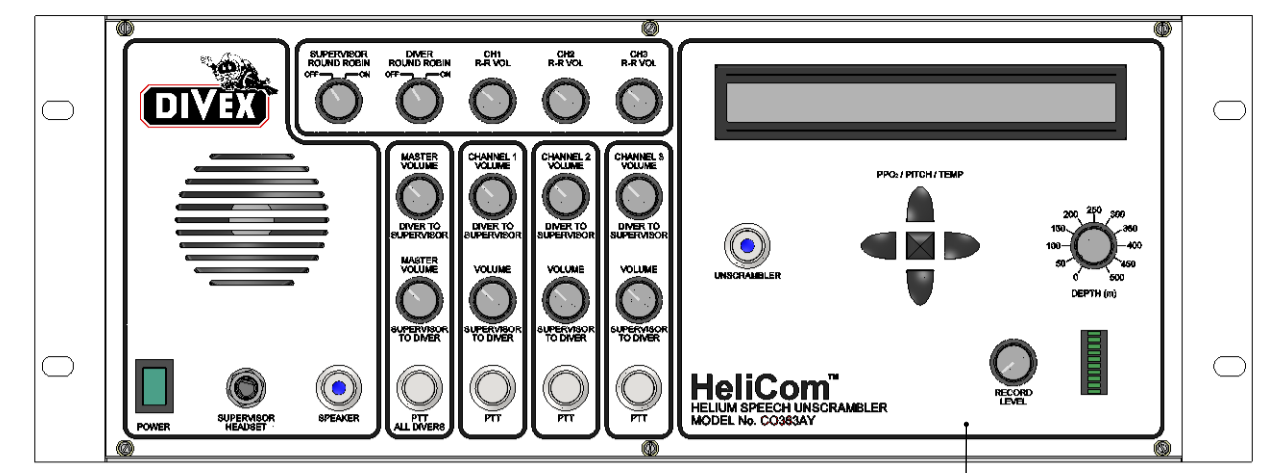


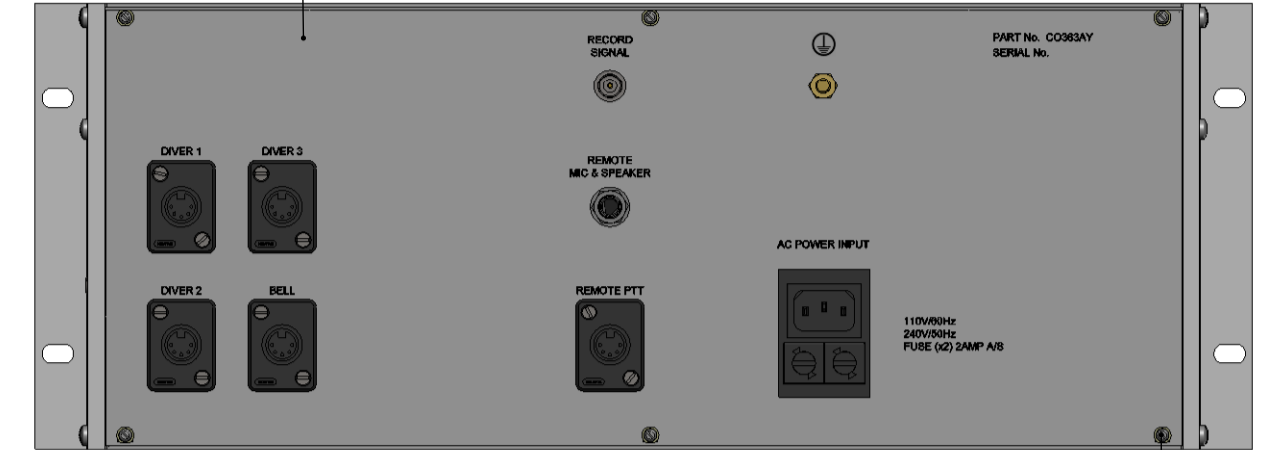
ITEM NO.	PART NO.	DESCRIPTION	Qty.
1	CO362100	PCB ASSEMBLY, C/W EMBEDDED SOFTWARE, D.S.P	1
2	CO363205	PCB ASSY, AUDIO MODULE 1, DIVE CONTROL, HEL UNS	1
3	CO363206	PCB ASSY, AUDIO MODULE 2, DIVE CONTROL, HEL UNSC	1
4	CO363124	RACK ASSY, FRAME ONLY, 4U, 19"	1
5	CO363207	PCB ASSY, AUDIO MOD 3, R-R DIVE CONTROL UNSCRAMBLER	1
6	CO363208	PCB ASSY, AUDIO MIX, R-R DIVE CONTROL UNSCRAMBLER	1
7	CO363130	FACIA ASSY, FRONT, 4U, R-R DIVE CONTROL UNSCRAMBLER	1
8	CO363131	FACIA ASSY, REAR, 4U, R-R DIVE CONTROL UNSCRAMBLER	1
9	CO363140	PCB ASSY, BACKPLANE, MODULAR HELIUM UNSCRAMBLER	1
10	CO363145	PCB ASSY, I/P TRANSFORMERS, D/C HELIUM UNSCRAMBLER	1
11	CO363322	COVER, PCB, RACK MOUNTING HELIUM UNSCRAMBLER	1
12	CO363323	SUPPORT, COVER, RACK MOUNTING HELIUM UNSCRAMBLER	1
13	E16431	NUT, HEX, M3 x 0.5, NYLON	4
14	EM10724	PLASTIC SLEEVE, PANEL, 19" RACK	12
15	EM465	SPACER, NYLON, 5mm LG, 3.2mm ID	4
16	FB228	SCREW, M/C, PAN HD, M4 X 0.7 X 10 LG, SS 316	2
17	FB256	SCREW, M/C, PAN HD, M3 x 0.5 x 16	4
18	FB512	SCREW, M3 x 12mm LG, PAN HD, POZIDRIVE, SS316	8
19	FB520	SCREW, PAN HD, M2.5 X 10MM LG, POZIDRIVE, A2-70	6
20	FB604	SCREW, PAN HD, SLOTTED, M2.5 X 12	12
21	FN078	NUT, NYLOC, M4, 316 ST STEEL	2
22	FN089	NUT, NYLOC, M3, 316 ST STEEL	8
23	FW107	WASHER, PLAIN, SS316, M3	8
24	FW131	WASHER, PLAIN, SS316, M4	2
25	FW184	WASHER, PLAIN, M3 WHITE NYLON	22
26	CO363182	PSU ASSEMBLY, MOUNTING PLATE, UNSCRAMBLER	1



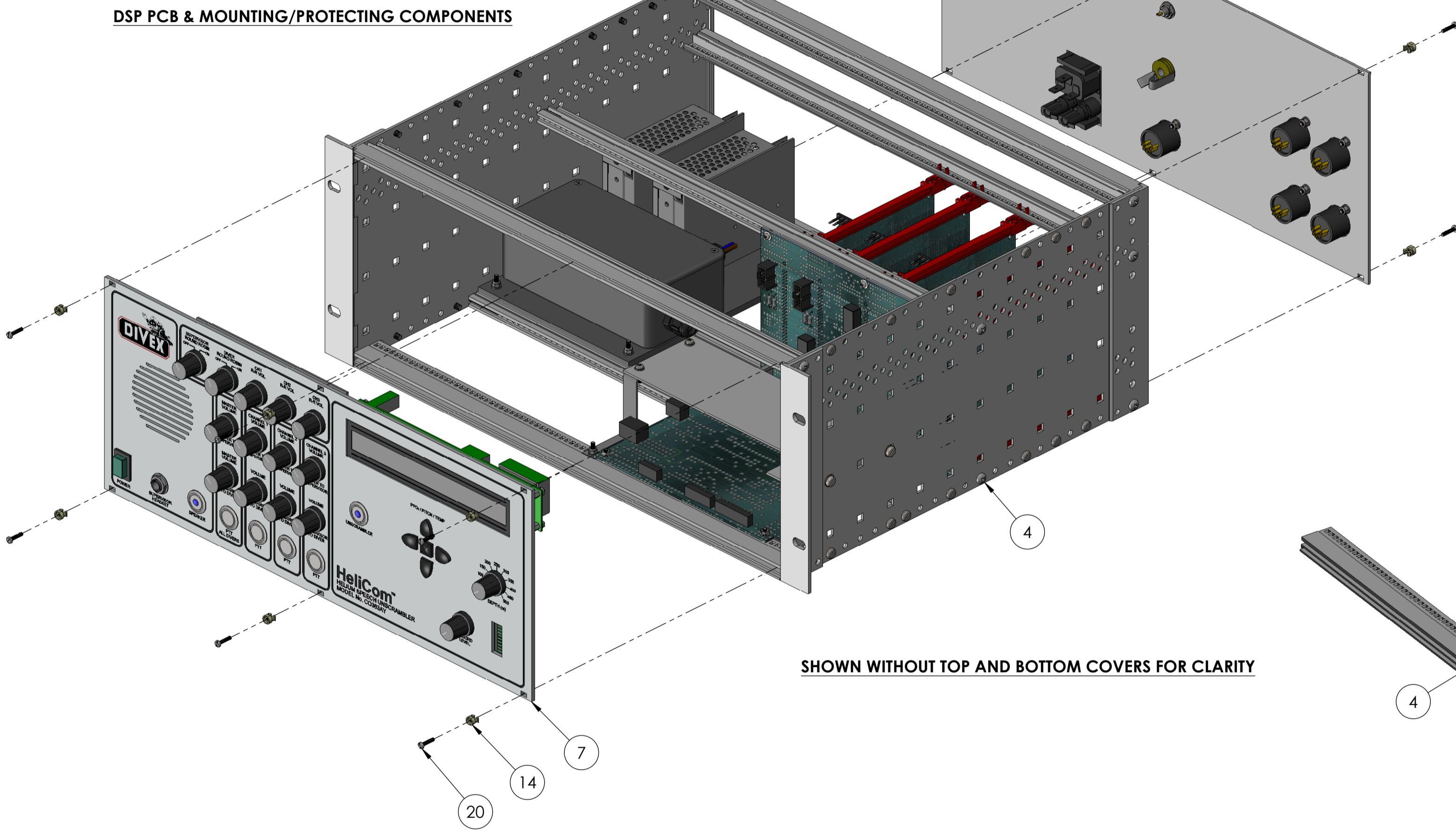
DSP PCB & MOUNTING/PROTECTING COMPONENTS



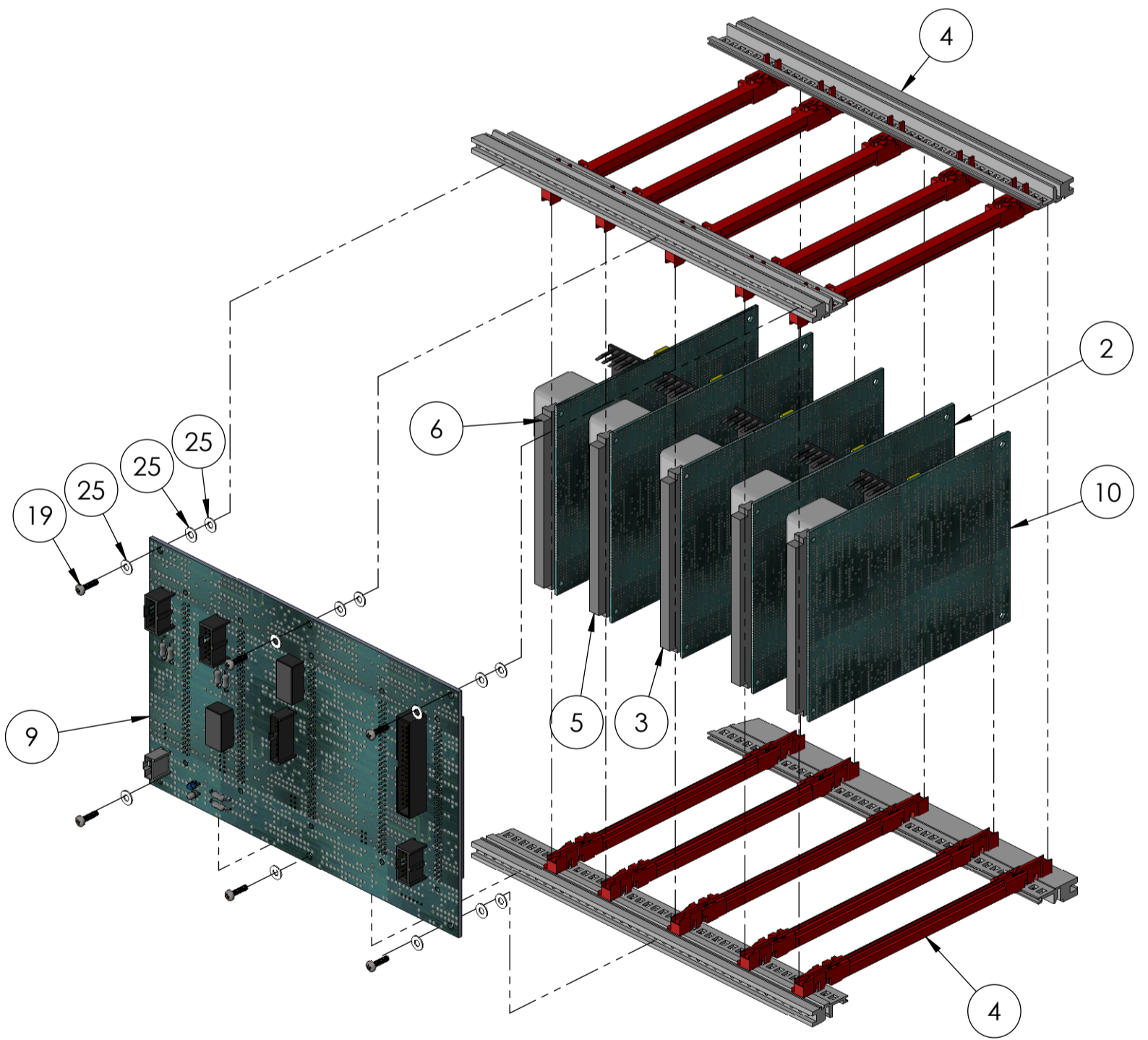
FRONT PANEL VIEW (SCALE 1:3)



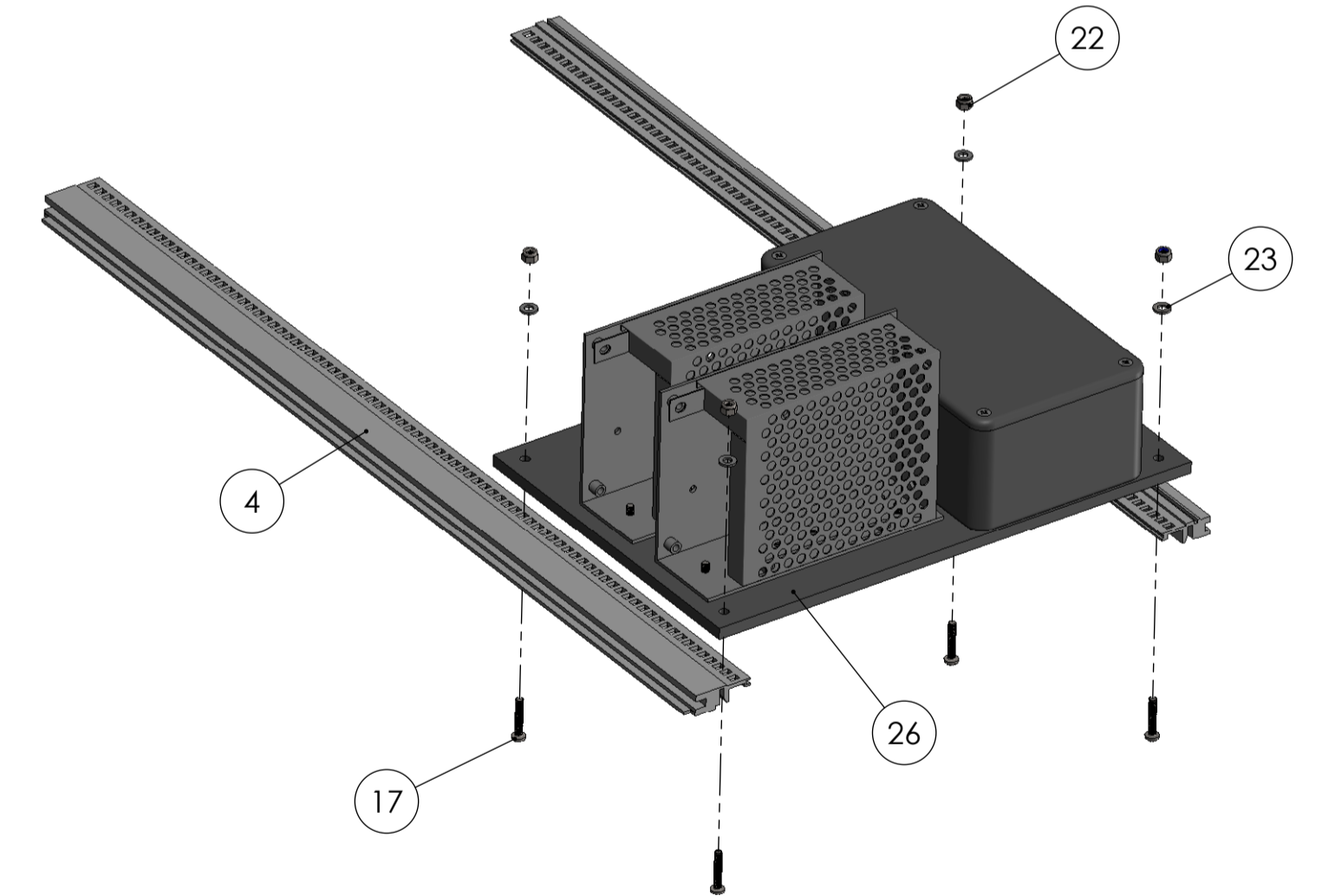
REAR PANEL VIEW (SCALE 1:3)



SHOWN WITHOUT TOP AND BOTTOM COVERS FOR CLARITY



PCB'S EXPLODED VIEW



PSU'S MOUNTING COMPONENTS

DIVEX OWNS THE COPYRIGHT OF THIS DOCUMENT AND ANY DESIGN RIGHT HEREIN. IT IS SUPPLIED IN CONFIDENCE AND MUST NOT BE USED FOR ANY PURPOSE OTHER THAN THAT FOR WHICH IT IS SUPPLIED AND MUST NOT BE REPRODUCED WITHOUT PERMISSION IN WRITING FROM THE OWNERS.

NOTES

3 - DENOTES CHANGES MADE AT THIS REVISION.

ALL DIMENSIONS SHOWN ARE IN MM (UOS)			
ALL DIMENSIONS BEFORE PLATING (UOS)			
REMOVE ALL SHARP EDGES AND BURRS			
DIMENSIONAL TOLERANCES			
MACHINING		FABRICATION	
NO DECIMAL PLACES	±1.0	SIZE >0 <100	±0.5
ONE DECIMAL PLACE	±0.2	SIZE >100 <500	±1.5
TWO DECIMAL PLACE	±0.05	SIZE >500	±3.0
ANGULAR TOLERANCE	±0.5°	ANGULAR TOLERANCE	±0.5°

MATERIAL	REFER TO PARTS LIST
FINISH	N/A
THIRD ANGLE PROJECTION	

REV	DESCRIPTION	ECN No	BY	DATE	AUTH BY
R06					
R05					
R04					
R03	BOM UPDATED	17144	ZD	04/11/2014	SC
R02	BOM UPDATED	16449	ZD	25/07/2014	SC
R01	WASHER QUANTITY AMENDED	11948	MRM	18/02/2009	IB
R00	ISSUED FOR MANUFACTURE		GR	01/06/2008	IB

DO NOT SCALE DRAWING

TITLE		COMMS HELIUM UNSCRAMBLER, DIVE CONTROL, C/W R-R	
DRAWING No.	REV	CO36325S1 R03	
PART No.	PRODUCT / PROJECT No.	CO363AY	CO363AY
SIZE	SCALE	SHT	OF
A1	1:1 (UOS)	1	1

DIVEX LIMITED
ENTERPRISE DRIVE
WESTHILL
ABERDEEN
AB32 6TQ
UNITED KINGDOM

Tel : +44(0)1224 740145
Fax : +44(0)1224 740172
email : info@divexglobal.com
www.divexglobal.com