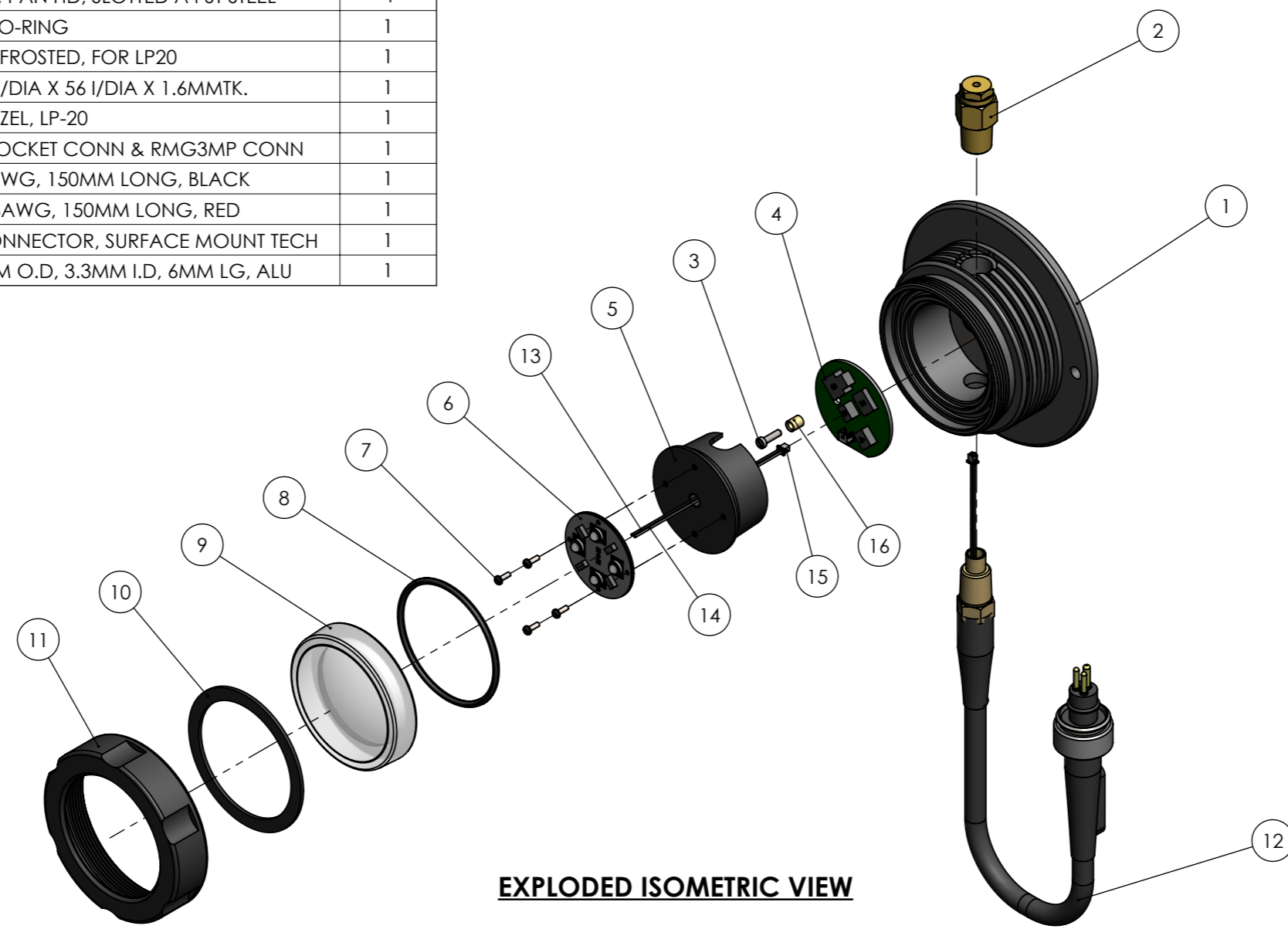
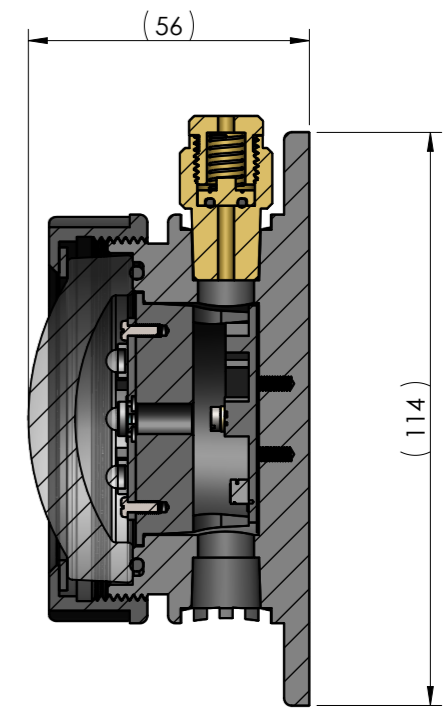



ITEM NO.	PART NO.	DESCRIPTION	QTY.
1	LA101	BODY, LP20 / HB-21	1
2	LA104	RELIEF VALVE	1
3	FB936	SCREW, CHEESE HD, SLOTTED, 6BA X 3/8" BZP	1
4	LA095102	PCB ASSY, LED DRIVER CIRCUIT	1
5	LA095104	MOUNTING, PLATE, LED, LP20, ANODISING DETAIL	1
6	LA095103	PCB ASSY, FOUR LED CIRCUIT	1
7	FB597	SCREW, M2 X 5MM LG, PAN HD, SLOTTED A4 ST STEEL	4
8	LA105	O-RING	1
9	LA109	LENS, LH20- FROSTED, FOR LP20	1
10	LA110	WASHER,LENS, 68 O/DIA X 56 I/DIA X 1.6MMTK.	1
11	LA111	BEZEL, LP-20	1
12	LA099ZE	PENETRATOR ASSY, C/W SOCKET CONN & RMG3MP CONN	1
13	CL3397	WIRE, CRIMPED, 26AWG, 150MM LONG, BLACK	1
14	CL3399	WIRE, CRIMPED, 26AWG, 150MM LONG, RED	1
15	EM11437	SOCKET, 2 WAY CRIMP, CONNECTOR, SURFACE MOUNT TECH	1
16	LA095105	SPACER, CIRCULAR, 5MM O.D, 3.3MM I.D, 6MM LG, ALU	1




EXPLODED ISOMETRIC VIEW



SECTION VIEW
(SCALE 1:1.5)
PENETRATOR NOT SHOWN

NOTES:
SYSTEM:- MAX. WORKING PRESSURE : 50bar
TEST PRESSURE : 75bar (BODY ONLY) 
ELECTRICAL : 24 VDC (0.7A)
CABLE : LSZH, FLAME RETARDANT
MAX TEMPERATURE : 70 °C

MATERIAL	SEE PARTS LIST
FINISH	N/A
ALL DIMENSIONS ARE IN mm (UOS) ALL DIMENSIONS BEFORE PLATING (UOS) REMOVE ALL SHARP EDGES AND BURRS	
MACHINING TOLERANCE	FABRICATION TOLERANCE
NO DECIMAL PLACE ±1.0	>0 <100 ±0.5
ONE DECIMAL PLACE ±0.2	>100 <500 ±1.5
TWO DECIMAL PLACE ±0.05	>500 ±3.0
ANGULAR TOLERANCE ±0.5°	

 DENOTES CHANGES MADE AT THIS REVISION						
R04	NOTES UPDATED	21271	JR	02/08/17	MH	
R03	NOTES ADDED	17502	MJ	20/02/15	SC	
R02	ADD CIRCULAR SPACER LA095105 AND LONGER SCREW FB936	12286	SJ	06/04/09	RTW	
R00	ISSUED FOR MANUFACTURE		SJ	24/04/08	RTW	
REV	DESCRIPTION	ECN	BY	DATE	AUTH.	
THIRD ANGLE PROJECTION			DO NOT SCALE DRAWING			
JFD OWNS THE COPYRIGHT OF THIS DOCUMENT AND ANY DESIGN RIGHT HEREIN. IT IS SUPPLIED IN CONFIDENCE AND MUST NOT BE USED FOR ANY PURPOSE OTHER THAN THAT FOR WHICH IT IS SUPPLIED AND MUST NOT BE REPRODUCED WITHOUT PERMISSION IN WRITING FROM THE OWNERS.						

TITLE LIGHT, LP20 HYPERBARIC C/W 4 LED & RMG3MP CONNECTOR			
DRAWING NO. LA98121S1		REV R04	
PART NO. LA098LA		PRODUCT / PROJECT No. AQUABEAM	
SIZE A3	SCALE (UOS) 1:10	SHEET 1 OF 1	



JFD WESTHILL
ENTERPRISE DRIVE,
WESTHILL, ABERDEEN,
AB32 6TQ, UK

TEL: +44 (0)1224 740145
E: enquires@jfdglobal.com
W: jfdglobal.com