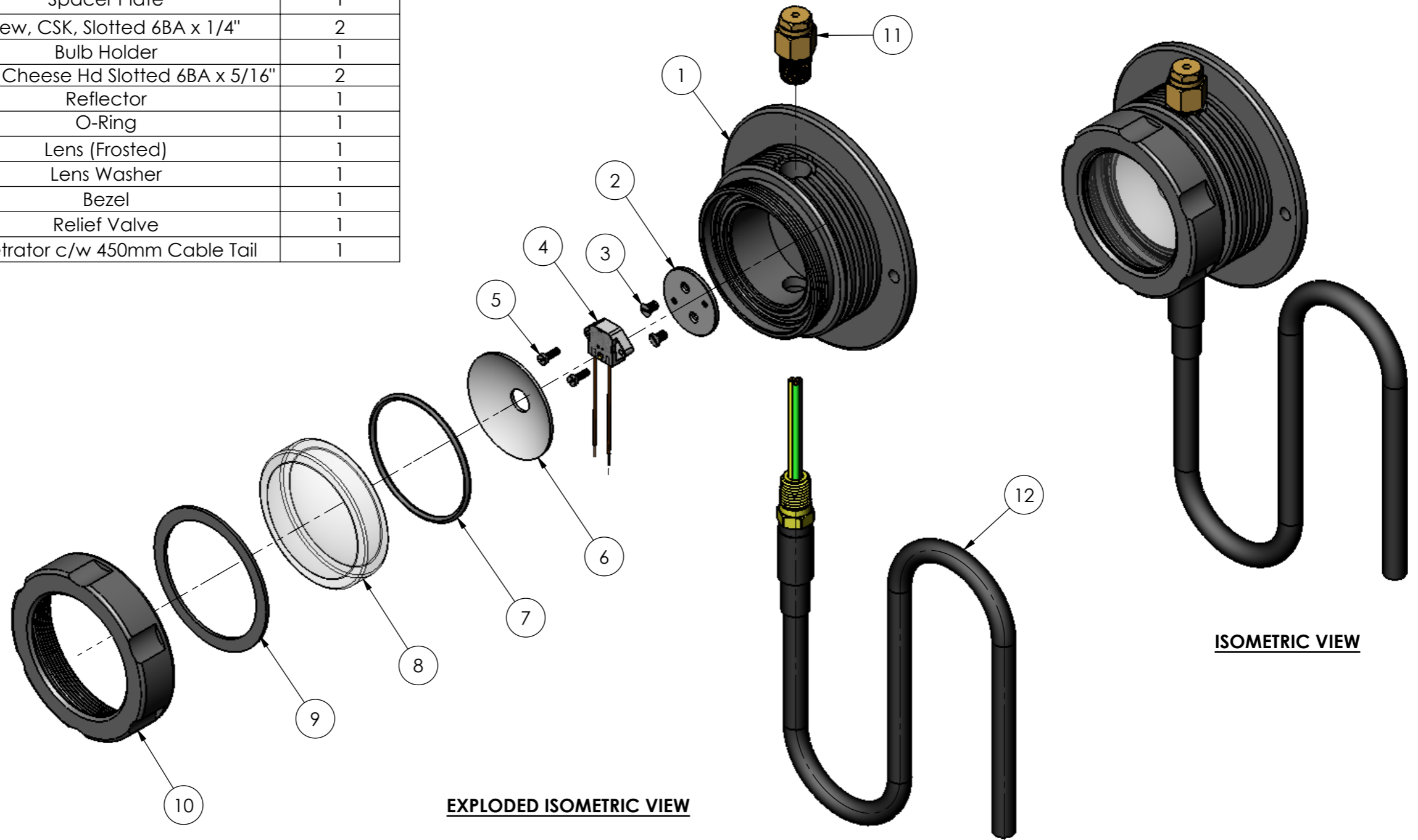


ITEM NO.	PART NO.	DESCRIPTION	QTY.
1	LA101	Body	1
2	LA092	Spacer Plate	1
3	FB219	Screw, CSK, Slotted 6BA x 1/4"	2
4	LA103	Bulb Holder	1
5	FB935	Screw, Cheese Hd Slotted 6BA x 5/16"	2
6	LA106	Reflector	1
7	LA105	O-Ring	1
8	LA109	Lens (Frosted)	1
9	LA110	Lens Washer	1
10	LA111	Bezel	1
11	LA104	Relief Valve	1
12	LA095100	Penetrator c/w 450mm Cable Tail	1



EXPLODED ISOMETRIC VIEW

ISOMETRIC VIEW

NOTES :


REV	DESCRIPTION OF REVISION	ECN
R00	ISSUED FOR MANUFACTURE	N/A

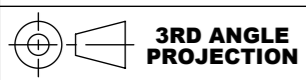
MATERIAL:
SEE PARTS LIST

FINISH:
N/A

DIVEX OWNS THE COPYRIGHT OF THIS DOCUMENT AND ANY DESIGN RIGHT EMBODIED HEREIN. IT IS SUPPLIED IN CONFIDENCE AND MUST NOT BE USED FOR ANY PURPOSE OTHER THAN THAT FOR WHICH IT IS SUPPLIED AND MUST NOT BE REPRODUCED WITHOUT PERMISSION IN WRITING FROM THE OWNERS

ALL DIMENSIONS IN MM (UOS)	SCALE	PRODUCT
ALL DIMENSIONS BEFORE PLATING (UOS)	1:2	AQUABEAM
REMOVE SHARP EDGES & BURRS	PART No.	
DIMENSIONAL TOLERANCES: NO DECIMAL PLACES ±1.0 ONE DECIMAL PLACE ±0.2 TWO DECIMAL PLACES ±0.05 ANGULAR TOLERANCE ±0.5°	LA095	
	DRAWN BY	DATE
	L.Smith	18/12/2006

	DIVEX LIMITED ENTERPRISE DRIVE WESTHILL ABERDEEN, AB32 6TQ UNITED KINGDOM.	TEL : +44 (0)1224 740145 FAX : +44 (0)1224 740172 email : info@divex.co.uk www.divex.co.uk	A3
	TITLE LIGHT, LP20, HYPERBARIC C/W CABLE TAIL, ASSEMBLY		
DRG No.	LA95S1	SHEET	1 of 1
		REV	R00



DO NOT SCALE DRAWING