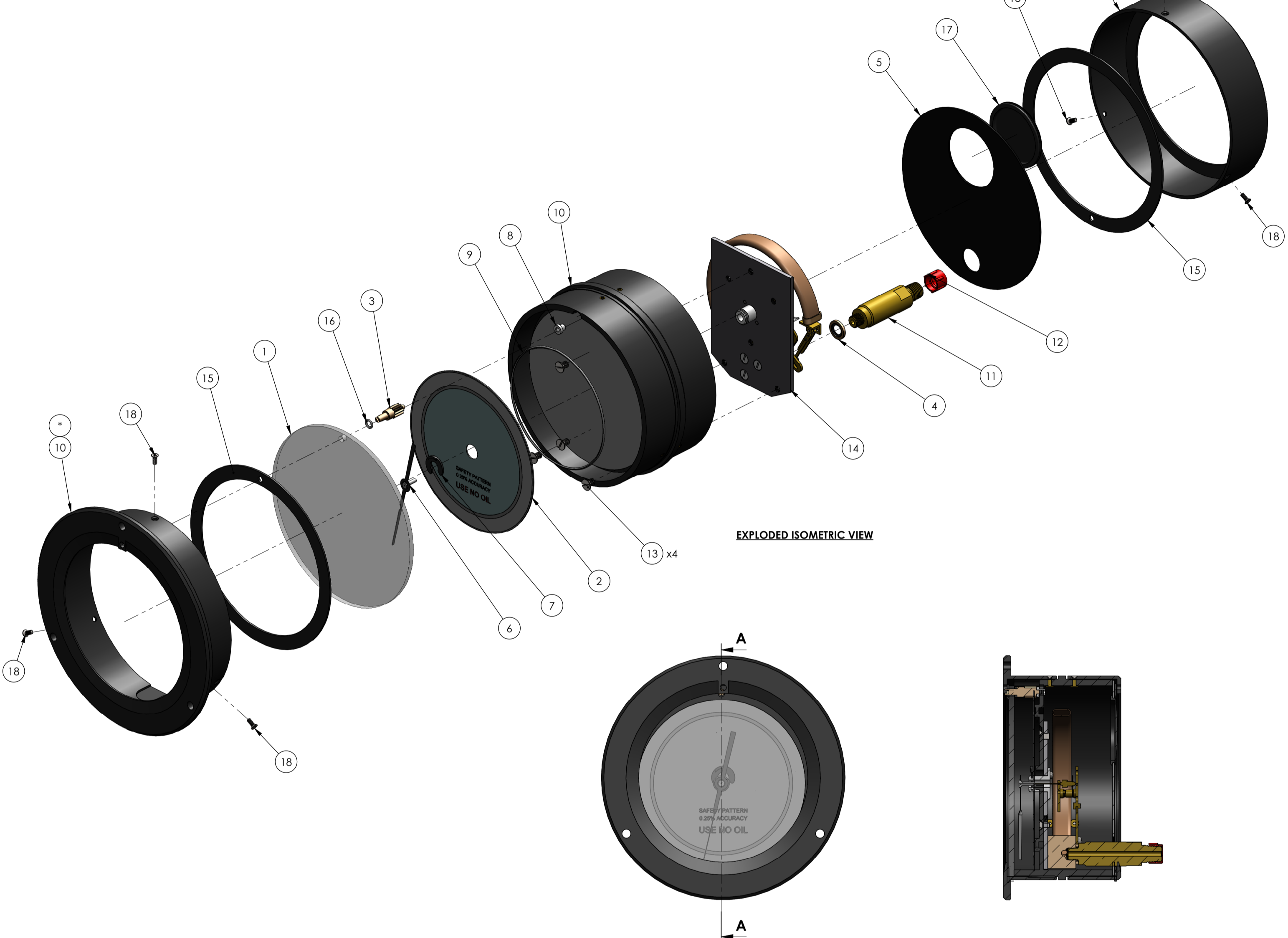


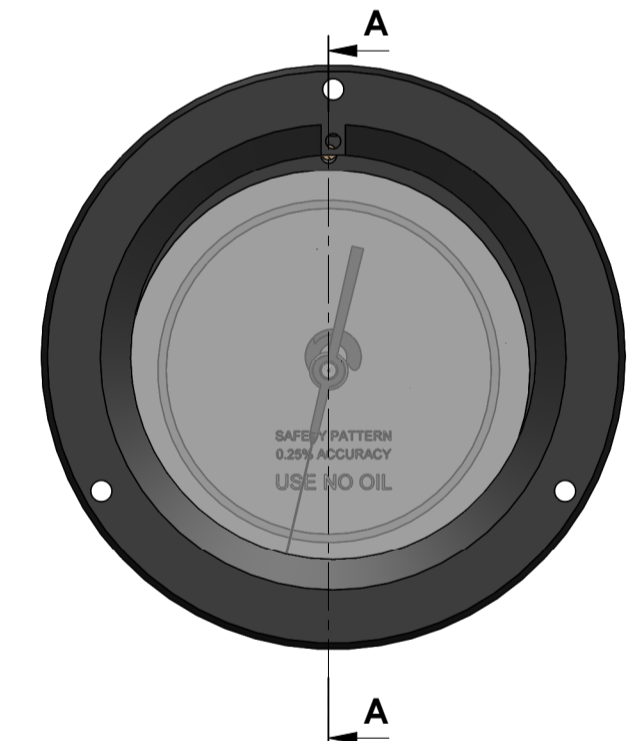
ITEM NO.	PART NO.	DESCRIPTION	QTY.
1	GP600	WINDOW, 6"	1
2	GP603	DIAL, C/W DIVEX LOGO, 6"	1
3	GP626	ZERO RESET DRIVE	1
4	GP634	SEAL, BONDED (SELF CENTERING), 1/8"BSP	2
5	GP590	BACK PLATE, CAISSON GAUGE CASE, 6"	1
6	GP606	POINTER, C/W HUB, FLEXIMOUNT GAUGE, 6"	1
7	GPX010	CLIP, "C", MOULDED	1
8	GPX008	BUSH, CASE, DEPTH GAUGE	1
9	GP595	O-RINGS, CLUTCH, FLEXIMOUNT GAUGE	1
10	GP679	CASE, FLEXIMOUNT GAUGE, 6"	1
11	GP625	CONNECTOR, FLEXIMOUNT GAUGE, 1/4" NPT MALE	1
12	GP673	CAP, DUST, RED, 1/4" NPT	1
13	FB424	SCREW, M/C, CSK, SLOTTED, M5 X 0.8 X 8	4
14	SEE VARIANT TABLE	MOVEMENT SUB ASSEMBLY	1 - ALL ASSYS
15	GP599	GASKET, FLEXIMOUNT GAUGE 60 SHORE, 6"	2
16	GP598	ZERO RESET O-RINGS	1
17	GP629	PLUG BLOWOUT Z'	1
18	FN0691	SCREW, POZI DRIVE, ST. ST (C/SNK HD), M3x8MM	6



ISOMETRIC VIEW  
REAR CONNECTION



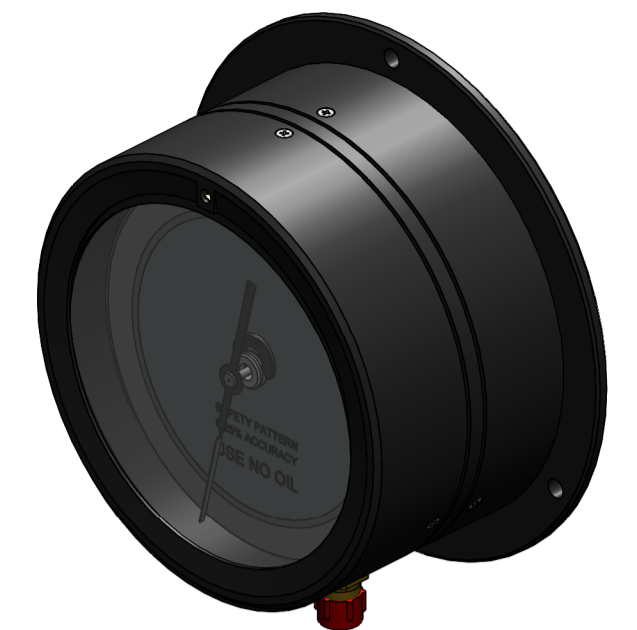
EXPLODED ISOMETRIC VIEW



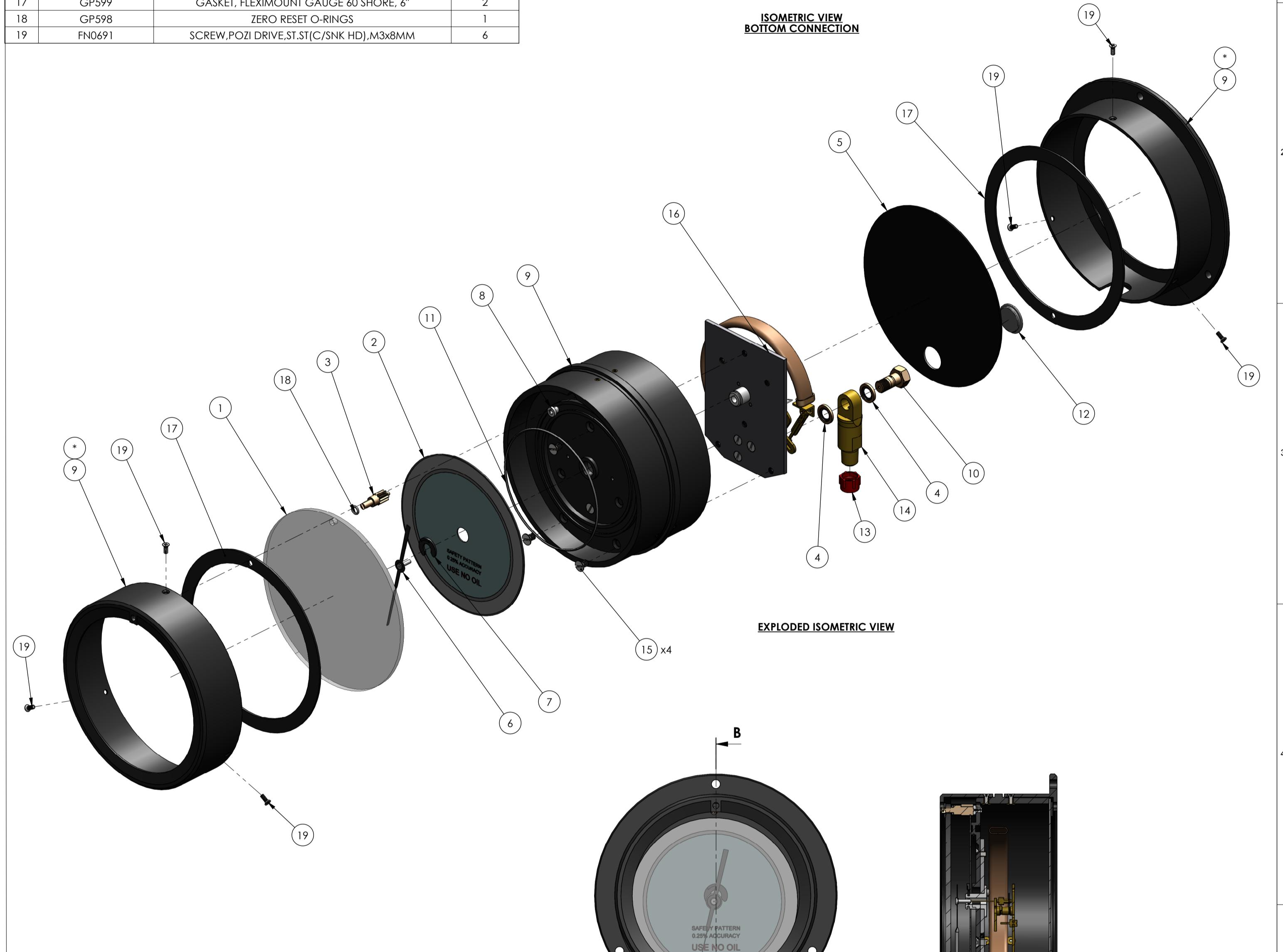
SECTION A-A

VARIANT TABLE			
PART NO.	DESCRIPTION	GAUGE ASSEMBLY USED ON	
		PART NO.	DESCRIPTION
GP782	MOVEMENT SUB ASSY, 6", 2.5 BAR	GP340	GAUGE, FLEXI DEPTH, 6" DIA, PR, 80FT/25MT, 0.25% ACC
GP784	MOVEMENT SUB ASSY, 6", 6.0 BAR	GP340DL	GAUGE, FLEXI DEPTH, 6" DIA, PR, 80FSW/25MSW, 0.25% ACC
GP785	MOVEMENT SUB ASSY, 6", 10.0 BAR	GP341	GAUGE, FLEXI DEPTH, 6" DIA, PR, 230FT/70M, 0.25% ACC
GP786	MOVEMENT SUB ASSY, 6", 16.0 BAR	GP342	GAUGE, DEPTH, 6" DIA, FF, REAR CON, 300FT/90M, 0.25% ACC
GP787	MOVEMENT SUB ASSY, 6", 25.0 BAR	GP347	GAUGE, FLEXI DEPTH, 6" DIA, PR, 400FT/120MT, 0.25% ACC
GP788	MOVEMENT SUB ASSY, 6", 40.0 BAR	GP343	GAUGE, FLEXI DEPTH, 6" DIA, PR, 720FT/220MT, 0.25% ACC
GP789	MOVEMENT SUB ASSY, 6", 60.0 BAR	GP344	GAUGE, FLEXI DEPTH, 6" DIA, PR, 1200FT/360MT, 0.25% ACC
		GP345	GAUGE, FLEXI DEPTH, 6" DIA, PR, 1500FT/450MT, 0.25% ACC
		GP346	GAUGE, FLEXI DEPTH, 6" DIA, PR, 2000FT/600MT, 0.25% ACC

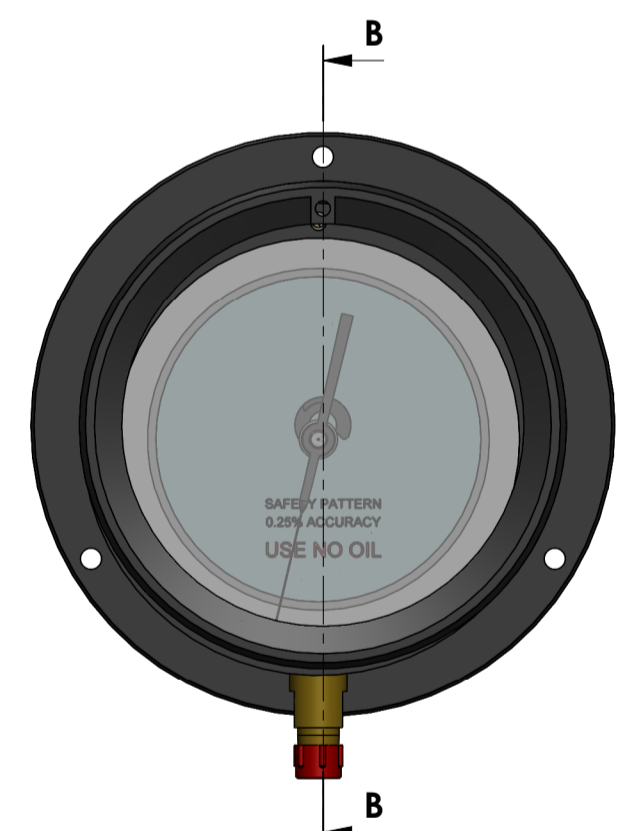
ITEM NO.	PART NO.	DESCRIPTION	QTY.
1	GP600	WINDOW, 6"	1
2	GP603	DIAL, C/W DIVEX LOGO, 6"	1
3	GP626	ZERO RESET DRIVE	1
4	GP634	SEAL, BONDED (SELF CENTERING), 1/8"BSP	2
5	GP590	BACK PLATE, CAISSON GAUGE CASE, 6"	1
6	GP606	POINTER, C/W HUB, FLEXIMOUNT GAUGE, 6"	1
7	GPX010	CLIP, "C", MOULDED	1
8	GPX008	BUSH, CASE, DEPTH GAUGE	1
9	GP679	CASE, FLEXIMOUNT GAUGE, 6"	1
10	GP696	BOLT, BANJO CONNECTOR, FLEXIMOUNT GAUGE	1
11	GP595	O-RINGS, CLUTCH, FLEXIMOUNT GAUGE	1
12	GP631	PLUG, BLOWOUT, 3/4"	1
13	GP673	CAP, DUST, RED, 1/4" NPT	1
14	GP695	CONNECTOR, BANJO, 6" FLEXIMOUNT GAUGE, 1/4" NPT	1
15	FB424	SCREW, M/C, CSK, SLOTTED, M5 X 0.8 X 8	4
16	SEE VARIANTS TABLE	MOVEMENT SUB ASSEMBLY	1 - ALL ASSYS
17	GP599	GASKET, FLEXIMOUNT GAUGE 60 SHORE, 6"	2
18	GP598	ZERO RESET O-RINGS	1
19	FN0691	SCREW, POZI DRIVE, ST. ST (C/SNK HD), M3x8MM	6



ISOMETRIC VIEW  
BOTTOM CONNECTION



EXPLODED ISOMETRIC VIEW



SECTION B-B

VARIANT TABLE			
PART NO.	DESCRIPTION	GAUGE ASSEMBLY USED ON	
		PART NO.	DESCRIPTION
GP782	MOVEMENT SUB ASSY, 6", 2.5 BAR	GP340ZA	GAUGE, FLEXI DEPTH, 6" DIA, SB, 0-15MSW, 0.25% ACC
GP785	MOVEMENT SUB ASSY, 6", 10.0 BAR	GP342AB	GAUGE, DEPTH, 6" DIA, RF, BTM CON, 300FT/90M, 0.25% ACC
GP784	MOVEMENT SUB ASSY, 6", 6.0 BAR	GP341HC	GAUGE, DEPTH, 6" DIA, PB, 230FT/70M, 0.25% ACC
GP784	MOVEMENT SUB ASSY, 6", 6.0 BAR	GP341AB	GAUGE, DEPTH, 6" DIA, RF, BTM CON, 230FT/70M, 0.25% ACC
GP784	MOVEMENT SUB ASSY, 6", 6.0 BAR	GP341VC	GAUGE, DEPTH, 6" DIA, FF, BTM CON, 230FT/70M, 0.25% ACC
GP784	MOVEMENT SUB ASSY, 6", 6.0 BAR	GP341BC	GAUGE, 6" DIA, FF, BTM CON, 230FT/70M, 0.25% ACC

NOTES:  
PARTS MARKED WITH A STAR (\*) CAN BE SWAPPED TO MANUFACTURE SURFACE MOUNT OR PANEL MOUNT VERSIONS WHEN REQUIRED

MATERIAL: REFER TO PARTS LIST	REVISIONS: R03 VARIANTS TABLE UPDATED 19553 ZD 15/06/16 AN R02 VARIANTS TABLE UPDATED 15117 MJ 19/09/12 MS R01 GP591 REPLACED WITH GP590 & PART NO. GP629 REMOVED 14787 ZD 22/05/12 MS R00 ISSUED FOR MANUFACTURE ECN BY DATE AUTH: SJ 03/07/08 MS	REVISIONS: R03 DENOTES CHANGES MADE AT THIS REVISION	THE GAUGE, FLEXI DEPTH, 6", ALL VARIANTS
ALL DIMENSIONS ARE IN mm (I/O/S) ALL DIMENSIONS BEFORE PLATING (U/O/S) REMOVE ALL SHARP EDGES AND BURRS	MACHINING TOLERANCE: ±1.0 >0 <100 ±0.5 ONE DECIMAL PLACE ±0.2 >100 <500 ±1.5 TWO DECIMAL PLACE ±0.05 >500 ±3.0	THIRD ANGLE PROJECTION DO NOT SCALE DRAWING	DRAWING NO. GP341S1 REV R03 SCALE: 1:2.5 SHEET 1 of 1

JFD OWNS THE COPYRIGHT OF THIS DOCUMENT AND ANY DESIGN RIGHT HEREIN. IT IS SUPPLIED IN CONFIDENCE AND MUST NOT BE USED FOR ANY PURPOSE OTHER THAN THAT FOR WHICH IT IS SUPPLIED AND MUST NOT BE REPRODUCED WITHOUT PERMISSION IN WRITING FROM THE OWNERS.

JFD WESTHILL ENTERPRISE DRIVE, WESTHILL, ABERDEEN, AB32 6TG, UK  
TEL: +44 (0)1224 740145  
E: enquiries@jfdglobal.com  
W: jfdglobal.com