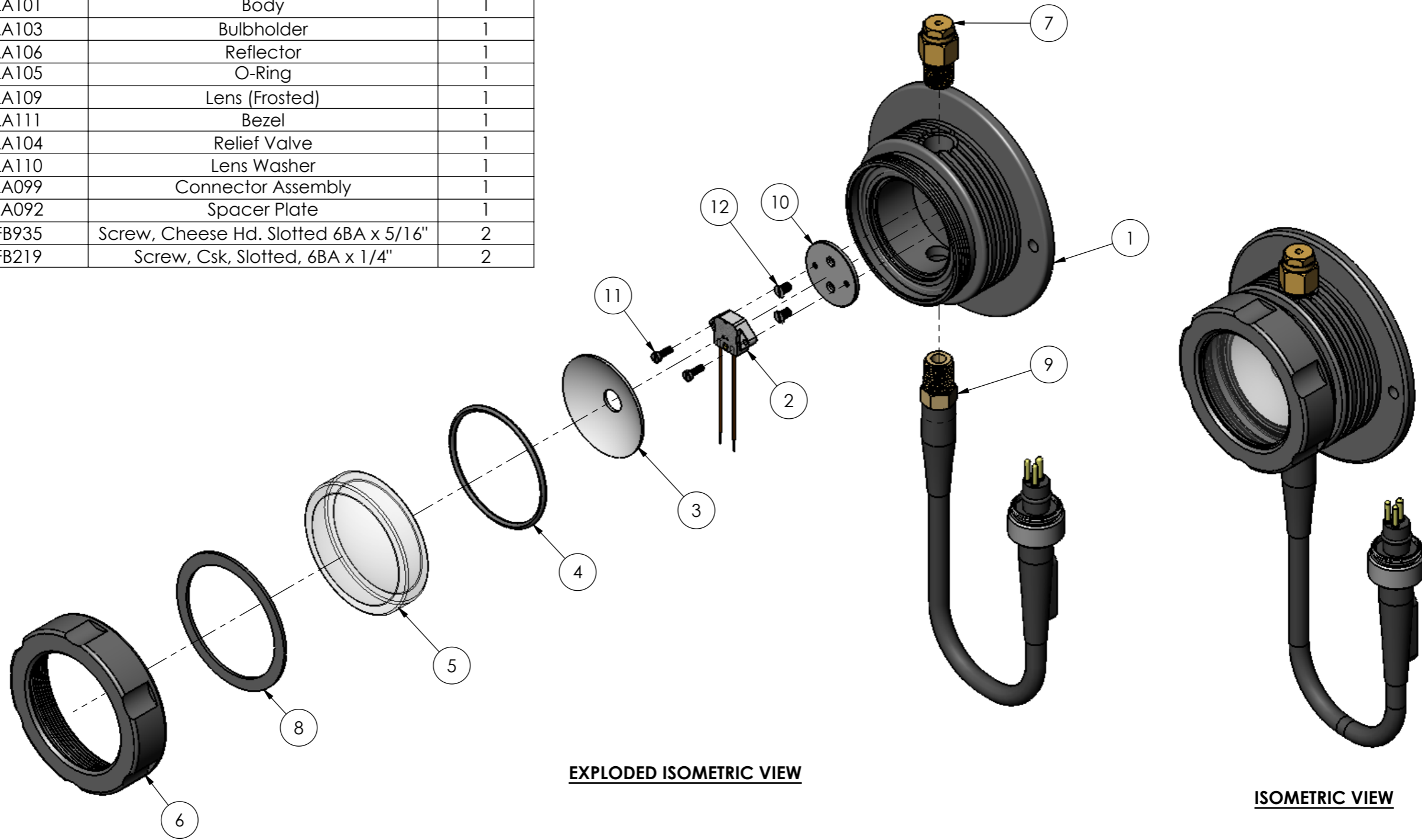


ITEM No.	PART No.	DESCRIPTION	Qty.
1	LA101	Body	1
2	LA103	Bulbholder	1
3	LA106	Reflector	1
4	LA105	O-Ring	1
5	LA109	Lens (Frosted)	1
6	LA111	Bezel	1
7	LA104	Relief Valve	1
8	LA110	Lens Washer	1
9	LA099	Connector Assembly	1
10	LA092	Spacer Plate	1
11	FB935	Screw, Cheese Hd. Slotted 6BA x 5/16"	2
12	FB219	Screw, Csk, Slotted, 6BA x 1/4"	2



EXPLODED ISOMETRIC VIEW

ISOMETRIC VIEW

NOTES :

REV	DESCRIPTION OF REVISION	ECN
R02	UPDATE LAMPHOLDER	9054

MATERIAL:
SEE PARTS LIST

FINISH:
N/A

DIVEX OWNS THE COPYRIGHT OF THIS DOCUMENT AND ANY DESIGN RIGHT EMBODIED HEREIN. IT IS SUPPLIED IN CONFIDENCE AND MUST NOT BE USED FOR ANY PURPOSE OTHER THAN THAT FOR WHICH IT IS SUPPLIED AND MUST NOT BE REPRODUCED WITHOUT PERMISSION IN WRITING FROM THE OWNERS

ALL DIMENSIONS IN MM (UOS)
SCALE: 1:2
PRODUCT: AQUABEAM

ALL DIMENSIONS BEFORE PLATING (UOS)

REMOVE SHARP EDGES & BURRS

PART No. LA098

DIMENSIONAL TOLERANCES:
NO DECIMAL PLACES ±1.0
ONE DECIMAL PLACE ±0.2
TWO DECIMAL PLACES ±0.05
ANGULAR TOLERANCE ±0.5°

DRAWN BY: L.Smith
DATE: 29/01/2007

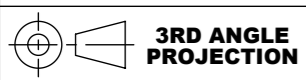
DIVEX A3

DIVEX LIMITED
ENTERPRISE DRIVE
WESTHILL
ABERDEEN, AB32 6TQ
UNITED KINGDOM.

TEL : +44 (0)1224 740145
FAX : +44 (0)1224 740172
email : info@divex.co.uk
www.divex.co.uk

TITLE
**LIGHT, LP20, HYPERBARIC
C/W RMG3MP CONNECTOR,
ASSEMBLY**

DRG No. LA98S1
SHEET 1 of 1
REV R02



DO NOT SCALE DRAWING