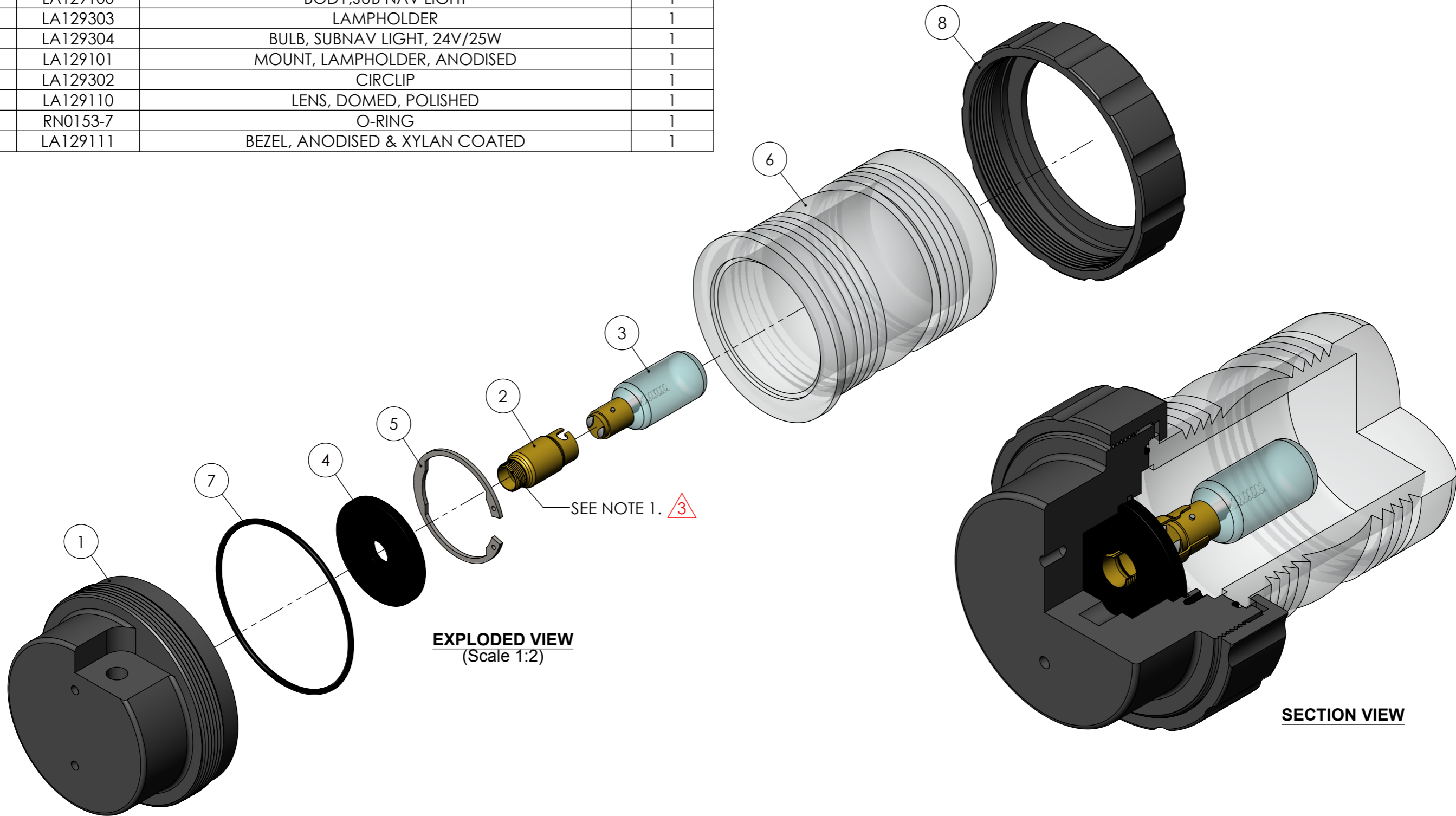


ITEM	PART NO.	DESCRIPTION	QTY.
1	LA129100	BODY,SUB NAV LIGHT	1
2	LA129303	LAMPHOLDER	1
3	LA129304	BULB, SUBNAV LIGHT, 24V/25W	1
4	LA129101	MOUNT, LAMPHOLDER, ANODISED	1
5	LA129302	CIRCLIP	1
6	LA129110	LENS, DOMED, POLISHED	1
7	RN0153-7	O-RING	1
8	LA129111	BEZEL, ANODISED & XYLAN COATED	1



EXPLODED VIEW
(Scale 1:2)

SECTION VIEW

DIVEX OWNS THE COPYRIGHT OF THIS DOCUMENT AND ANY DESIGN RIGHT HEREIN. IT IS SUPPLIED IN CONFIDENCE AND MUST NOT BE USED FOR ANY PURPOSE OTHER THAN THAT FOR WHICH IT IS SUPPLIED AND MUST NOT BE REPRODUCED WITHOUT PERMISSION IN WRITING FROM THE OWNERS.

NOTES
1. EARTH POINT ON LAMP HOLDER.

- DENOTES CHANGES MADE AT THIS REVISION.

ALL DIMENSIONS SHOWN ARE IN MM (UOS) ALL DIMENSIONS BEFORE PLATING (UOS) REMOVE ALL SHARP EDGES AND BURRS			
DIMENSIONAL TOLERANCES			
MACHINING		FABRICATION	
NO DECIMAL PLACES	±1.0	SIZE >0 <100	±0.5
ONE DECIMAL PLACE	±0.2	SIZE >100 <500	±1.5
TWO DECIMAL PLACE	±0.05	SIZE >500	±3.0
ANGULAR TOLERANCE	±0.5°	ANGULAR TOLERANCE	±0.5°

MATERIAL	SEE PARTS LIST
FINISH	N/A
THIRD ANGLE PROJECTION	

REV	DESCRIPTION	ECN No.	BY	DATE	AUTH. BY
R06					
R05					
R04					
R03	FB694 REMOVED & NOTES ADDED	15396	ZD	09/01/13	SC
R02	ITEM 9 ADDED	14157	JJM	06/08/11	CST
R01	UPDATE TITLE DESCRIPTION	11494	SJ	09/12/08	RTW
R00	ISSUED FOR MANUFACTURE		NW	18/03/04	RTW

LIGHT, NAVIGATION, ALL ROUND, WHITE, 360°, ASSEMBLY	
DRAWING No.	REV
LA12911S1	R03
PART No.	PRODUCT / PROJECT No.
LA129AA	AQUABEAM
SIZE	SCALE
A3	1:1.5 (UOS)
SHEET	OF
1	1

DIVEX LIMITED
ENTERPRISE DRIVE
WESTHILL
ABERDEEN
AB32 6TQ
UNITED KINGDOM

Tel : +44(0)1224 740145
Fax : +44(0)1224 740172
email : info@divexglobal.com
www.divexglobal.com